

VÁLVULAS DE MARIPOSA / BUTTERFLY VALVES

VÁLVULA DE MARIPOSA BIEXCÉNTRICA TOTAL INOX. WAFER PN25 DOUBLE ECCENTRIC BUTTERFLY VALVE. WAFER TYPE. FULL S.STEEL NP25



TECFLOW®

TF-DE-BFV-SS-W25



UTILIZACIÓN / APPLICATION :

Calefacción, geotermia, frío industrial, construcción naval, petroquímica.
Heating, geothermics, industrial cool, shipbuilding, petrochemical.

CARACTERÍSTICAS GENERALES / GENERAL CHARACTERISTICS :

Válvulas Wafer de doble excentricidad / Double Offset wafer type design.
Rango desde DN50 hasta DN400 / Range from ND50 up to ND400 .
Cierre biidireccional / Bidirectional with preferential flow indicated by the arrow.
Estanqueidad 100% / 100% tightness.
Palanca de 10 posiciones hasta DN150 / 10 positions handle with locking device up to ND150.
Pletina montaje ISO 5211 / ISO 5211 mounting pad.
Pintura: primera capa de zinc Inorgánico, color gris, 10 micras de espesor- Pintura final resistente al calor.
Color aluminio-plata RAL 1504 con 30 micras de espesor.
Paint: Inorganic zinc rich premier, grey color, 10 microns thickness. Finish painting heat resisting aluminum .
Silver color RAL 1504. 30 microns thickness..

NORMATIVAS / STANDARDS :

Diseño / Design according to : API 609.
Fabricación / Manufacture according to : ISO 9001: 2015.
Distancia entre caras / Face to Face : EN 558-1 Serie 20.
Montaje entre bridas / Mounting between flanges EN1092-1 PN25.
Marcado según / Marking according to : MSS SP-25.
Pruebas de estanqueidad / Tightness Test according to : ISO 5208 Rate A.
Anti-fuego según / Fire Safe according to : ISO 10497 : 2010.
Directiva europea 2014/68/EU CE Nº 0035 Categoría de riesgo III Módulo H
EU directive 2014/68/EU CE Nº 0035. Risk Category III module H.
ATEX Group II Category 2 G/2D Zone 1 & 21. Zone 2 & 22 according to directive 2014/34/EU.
SIL2 according to IEC/EN 61508.

CONDICIONES DE SERVICIO / WORKING CONDITIONS:

Máxima presión de trabajo / Maximum Working Pressure : 25 bar. Vapor / Steam: 10 bar.
Temperatura máxima de trabajo / Maximum Working Temperature : - 29 °C / + 210 °C.

MATERIALES / CONSTRUCTION :

| No. | Pieza Part | Material Material |
|-----|-----------------------------------|--------------------------------|
| 1 | Cuerpo Body | ASTM A351 CF8M |
| 2 | Disco Disc | ASTM A351 CF8M |
| 3 | Eje Shaft | ASTM A564 630 |
| 4 | Asiento Seat | PTFE filled with 15% Graphite |
| 4-1 | Asiento Metálico Metal Seat | Inconel 718 |
| 4-2 | Junta Gasket | Graphite |
| 5 | Retén Retainer | ASTM A351 CF8 |
| 6 | Cojinete Bushing | PTFE + AISI 316 |
| 7 | Prensa Gland | ASTM A351 CF8 |
| 8 | Empaque Prensa Gland Packing | Graphite |
| 9 | Tapa Bottom Cover | ASTM A351 CF8M |
| 9-1 | Junta Tapa Bottom Cover Gasket | Graphite |
| 10 | Horquilla Yoke | ASTM A351 CF8 |
| 11 | Perno tope Stop Stud | ASTM A193 Gr B8M |
| 12 | Placa Bloqueo Lock Plate | PTFE + 15% Graphite + AISI 316 |
| 13 | Perno Stud | ASTM A193 Gr B8 |
| 14 | Tuerca Nut | ASTM A194 Gr B |
| 15 | Tornillo Bolt | ASTM A193 Gr B8 |

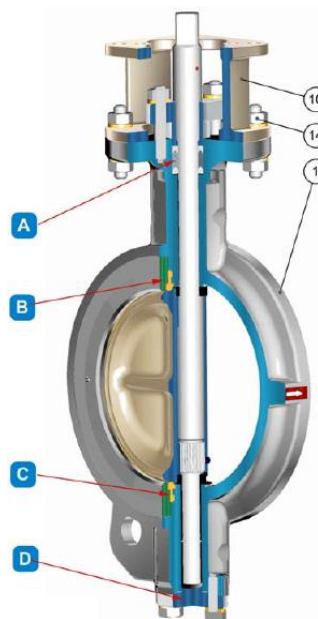
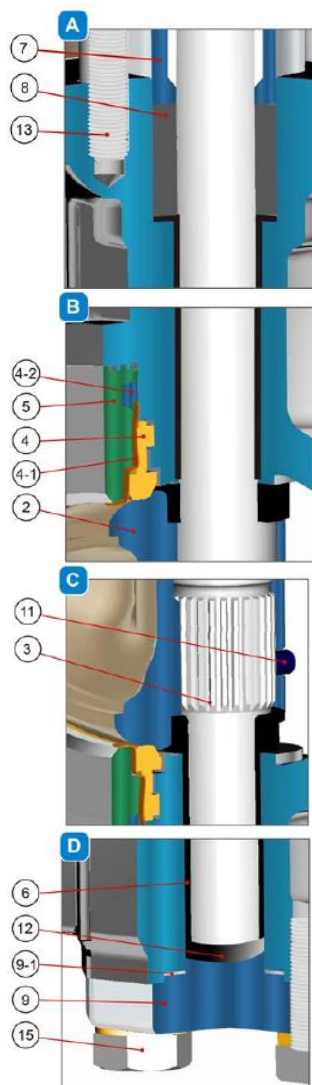
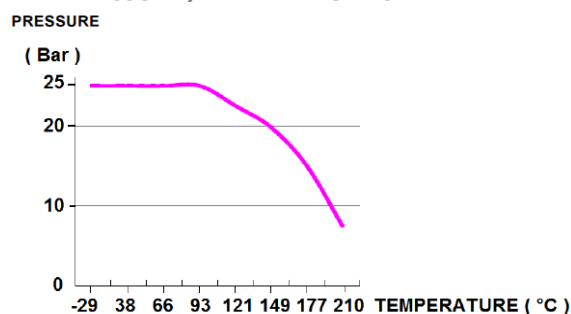


GRÁFICO PRESIÓN / TEMPERATURA: PRESSURE / TEMPERATURE CHART:



VÁLVULAS DE MARIPOSA / BUTTERFLY VALVES

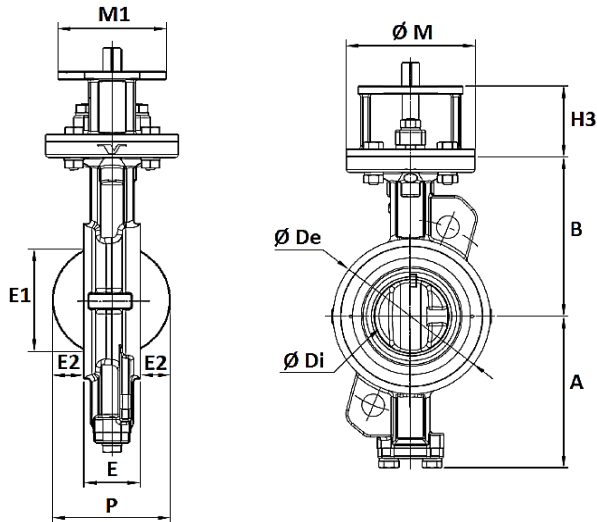
VÁLVULA DE MARIPOSA BIEXCÉNTRICA TOTAL INOX. WAFER PN25 DOUBLE ECCENTRIC BUTTERFLY VALVE. WAFER TYPE. FULL S.STEEL NP25



TECFLOW®

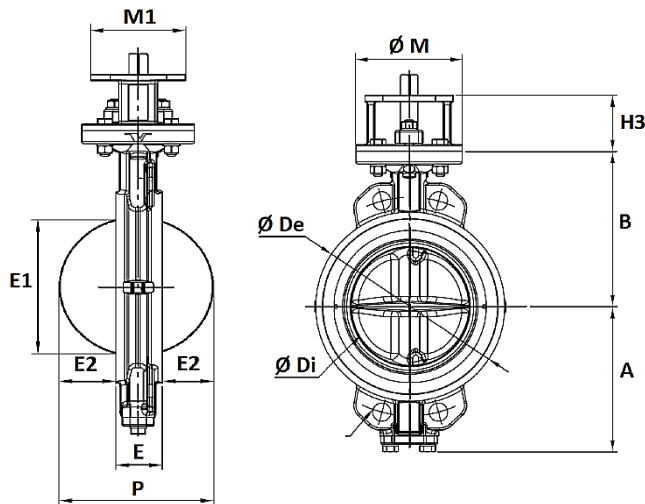
TF-DE-BFV-SS-W25

DIMENSIONES / DIMENSIONS : DN50 - DN150



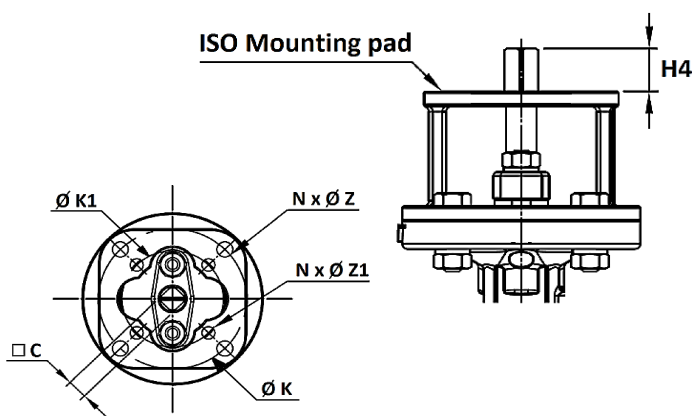
| DN ND | E | A | B | ØM | H3 | M1 | P | E1 | E2 | ØDe | ØDi | Min Pipe Diameter | Peso Weight |
|----------|----|-----|-------|-----|----|-----|-----|------|----|-----|-----|----------------------|----------------|
| 50 | 43 | 99 | 118 | 90 | 60 | 70 | 47 | 49,5 | 2 | 92 | 37 | 49 | 3,90 |
| 65 | 46 | 110 | 125,0 | 90 | 60 | 70 | 76 | 62,3 | 15 | 108 | 63 | 62 | 4,50 |
| 80 | 47 | 128 | 140 | 125 | 70 | 102 | 91 | 65,9 | 22 | 126 | 78 | 78 | 7,00 |
| 100 | 53 | 150 | 157 | 125 | 70 | 102 | 103 | 93 | 25 | 153 | 95 | 93 | 9,00 |
| 125 | 57 | 163 | 170 | 125 | 70 | 102 | 129 | 120 | 36 | 184 | 118 | 120 | 12,00 |
| 150 | 56 | 176 | 185 | 125 | 70 | 102 | 156 | 149 | 50 | 212 | 143 | 149 | 13,50 |

DIMENSIONES / DIMENSIONS : DN200 - DN400



| DN ND | E | A | B | ØM | H3 | M1 | P | E1 | E2 | ØDe | ØDi | Min Pipe Diameter | Peso Weight |
|----------|-----|-----|-----|-----|-----|-----|-----|-----|-----|-----|-------|----------------------|----------------|
| 200 | 62 | 206 | 220 | 150 | 80 | 125 | 202 | 196 | 70 | 268 | 187,6 | 196 | 22,00 |
| 250 | 68 | 238 | 260 | 150 | 80 | 125 | 248 | 243 | 90 | 326 | 235,5 | 243 | 32,00 |
| 300 | 78 | 269 | 290 | 175 | 100 | 160 | 290 | 289 | 106 | 375 | 282 | 289 | 48,00 |
| 350 | 78 | 306 | 326 | 175 | 100 | 160 | 328 | 329 | 125 | 416 | 322 | 329 | 66,00 |
| 400 | 102 | 342 | 370 | 210 | 120 | 195 | 382 | 377 | 140 | 476 | 371 | 377 | 107,00 |

DIMENSIONES EJE Y PLETINA ISO / DIMENSIONS ISO MOUNTING PAD & STEM:



| DN ND | C | H4 | ISO | ØK | N x ØZ | ØK1 | ISO1 | N x ØZ1 |
|----------|----|----|-----|-----|--------|-----|------|---------|
| 50 | 11 | 18 | F07 | 70 | 4 X 8 | 50 | F05 | 4 X 6 |
| 65 | 11 | 18 | F07 | 70 | 4 X 8 | 50 | F05 | 4 X 6 |
| 80 | 14 | 23 | F10 | 102 | 4 X 10 | 70 | F07 | 4 X 8 |
| 100 | 14 | 23 | F10 | 102 | 4 X 10 | 70 | F07 | 4 X 8 |
| 125 | 17 | 23 | F10 | 102 | 4 X 10 | 70 | F07 | 4 X 8 |
| 150 | 17 | 23 | F10 | 102 | 4 X 10 | 70 | F07 | 4 X 8 |
| 200 | 19 | 28 | F12 | 125 | 4 X 12 | 102 | F10 | 4 X 10 |
| 250 | 22 | 28 | F12 | 125 | 4 X 12 | 102 | F10 | 4 X 10 |
| 300 | 27 | 37 | F14 | 140 | 4 X 16 | 125 | F12 | 4 X 12 |
| 350 | 27 | 37 | F14 | 140 | 4 X 16 | 125 | F12 | 4 X 12 |
| 400 | 36 | 47 | F16 | 165 | 4 X 22 | 140 | F14 | 4 X 16 |

Las especificaciones del producto están sujetas a modificaciones sin previo aviso. The specifications of the presented products are open to modifications without previous advice.